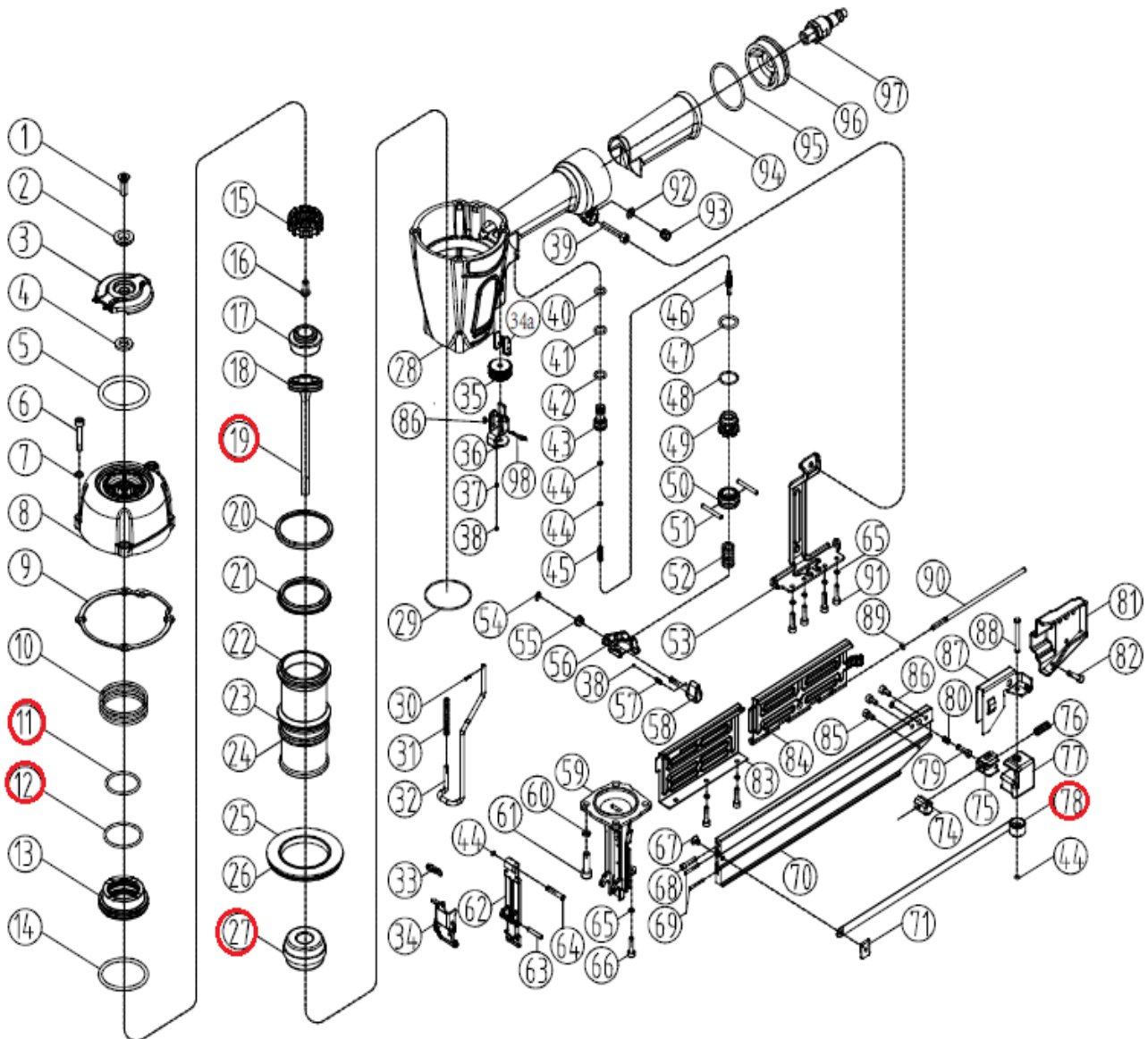


DESPIECE DE LA HERRAMIENTA

Usted encontrará con un círculo las piezas de desgaste recomendadas para mantener en stock.

SF16851H6



19 Lanceta

27 Tope

78 Empujador

11 O'ring

12 O'ring

Kit: Lanceta (19), un tope (27), un empujador (78) y los empaques (11) y (12)

DESPIECE DE LA HERRAMIENTA

Propiedad de: Implementos Neumáticos SA de CV
Prohibida la reproducción parcial o total

CONFIDENCIAL

LISTA DE PARTES

MODELO: SF16851H6

Item	Part No.	Description	Q'ty	Precio
1	SF16851H6-1	SCREW	1	17.18
2	SF16851H6-2	BU SHING	1	29.17
3	SF16851H6-3	EXHAU ST COVER	1	47.92
4	SF16851H6-4	SEAL	1	17.18
5	SF16851H6-5	SELENCER	1	61.46
6	SF16851H6-6	SCREW	1	17.18
7	SF16851H6-7	SPRING W ASHER	1	17.18
8	SF16851H6-8	CYLINDER CAP	1	485.42
9	SF16851H6-9	GSAKET	1	19.79
10	SF16851H6-10	SPRING	1	45.83
11	SF16851H6-11	O-RING 36.3-2.5	1	17.18
12	SF16851H6-12	O-RING 40.2-2.3	1	17.18
13	SF16851H6-13	VALVE	1	88.54
14	SF16851H6-14	O-RING 51.7-3.5	1	17.18
15	SF16851H6-15	VALVE SEAT	1	76.04
16	SF16851H6-16	SCREW	1	17.18
17	SF16851H6-17	STOPPED W ASHER	1	36.46
18	SF16851H6-18	O-RING 42-3.5	1	17.18
19	SF16851H6-19	PISTON ASSEM BLY	1	418.75
20	SF16851H6-20	COLLAR	1	17.18
21	SF16851H6-21	CYLINDER SEAL	1	17.18
22	SF16851H6-22	CYLINDER	1	378.13
23	SF16851H6-23	O-RING 52.4-2.5	1	17.18
24	SF16851H6-24	O-RING 48.8-2.5	1	17.18
25	SF16851H6-25	RESTRI CTIVE PLATE	1	32.29
26	SF16851H6-26	O-RING 76.36-2.62	1	17.18
27	SF16851H6-27	BU M PER	1	155.21
28	SF16851H6-28	BODY	1	1,160.42
29	SF16851H6-29	O-RING 46-1.3	1	17.18
30	SF16851H6-30	SPRING PIN	1	17.18

Item	Part No.	Description	Q'ty	Precio
49	SF16851H6-49	VALVE GU IDE	1	17.18
50	SF16851H6-50	TRIG GER VALVE	1	17.71
51	SF16851H6-51	SPRING PIN	1	17.18
52	SF16851H6-52	SPRING	1	17.18
53	SF16851H6-53	JIONT PLATE	1	122.92
54	SF16851H6-54	LOCKING W AS	1	17.18
55	SF16851H6-55	ROTATING SHAFT	1	17.18
56	SF16851H6-56	TRIG GER ASSEM	1	17.18
57	SF16851H6-57	SPRING	1	20.83
58	SF16851H6-58	ROTATING SHAFT	1	27.08
59	SF16851H6-59	DRIVE GU IDE	1	1,292.71
60	SF16851H6-60	SPRING W ASHE	1	17.18
61	SF16851H6-61	SCREW	1	17.18
62	SF16851H6-62	FRONT PLATE	1	269.79
63	SF16851H6-63	SPRING PIN	1	17.18
64	SF16851H6-64	PIN	1	17.18
65	SF16851H6-65	SPRING W ASHE	1	17.18
66	SF16851H6-66	SCREW	1	17.18
67	SF16851H6-67	SCREW	1	17.18
68	SF16851H6-68	SCREW	1	17.18
69	SF16851H6-69	SPRING PIN	1	17.18
70	SF16851H6-70	M AGAZINE	1	556.25
71	SF16851H6-71	SPRING PLATE	1	23.96
72	SF16851H6-72	Pin	1	17.18
73	SF16851H6-73	O-ring 4.5x1.3	1	17.18
74	SF16851H6-74	BU TTON	1	17.18
75	SF16851H6-75	BU TTON PLATE	1	17.18
76	SF16851H6-76	SPRING	1	17.18
77	SF16851H6-77	FEEDER PLATE	1	42.71
78	SF16851H6-78	SPRING	1	83.33

DESPIECE DE LA HERRAMIENTA

Propiedad de: Implementos Neumáticos SA de CV
Prohibida la reproducción parcial o total

CONFIDENCIAL**LISTA DE PARTES****MODELO: SF16851H6**

Item	Part No.	Description	Qty	Precio
31	SF16851H6-31	SPRING	1	17.18
32	SF16851H6-32	SAFE BRACKET	1	168.75
33	SF16851H6-33	LATCH SLEVE	1	17.18
34	SF16851H6-34	LATCH ASSEMBLY	1	37.50
35	SF16851H6-35	ADJUST NUT	1	88.54
36	SF16851H6-36	BRACKET	1	37.50
37	SF16851H6-37	SPRING	1	17.18
38	SF16851H6-38	STEEL BALL	1	17.18
39	SF16851H6-39	SCREW	1	17.18
40	SF16851H6-40	O-RING 9.5-1.9	1	17.18
41	SF16851H6-41	O-RING 10.3-1.9	1	17.18
42	SF16851H6-42	O-RING 12.8-1.9	1	17.18
43	SF16851H6-43	TRIGGER VALVE HEAD	1	29.17
44	SF16851H6-44	O-RING 5.5-1.5	1	17.18
45	SF16851H6-45	SPRING	1	17.18
46	SF16851H6-46	TRIGGER VALVE STEM	1	29.17
47	SF16851H6-47	O-RING 20.3-2.5	1	17.18
48	SF16851H6-48	O-RING 20.3-1.5	1	17.18

Item	Part No.	Description	Qty	Precio
79	TR-SF16851H6-79	FEEDER PIN	1	17.18
80	TR-SF16851H6-80	SPRING	1	17.18
81	TR-SF16851H6-81	MAGAZINE PLATE	1	47.92
82	TR-SF16851H6-82	SCREW	1	17.18
83	TR-SF16851H6-83	SECURITY PLATE	1	76.04
84	TR-SF16851H6-84	MOVING PLATE	1	122.92
85	TR-SF16851H6-85	SCREW	1	17.18
86	TR-SF16851H6-86	WASHER	1	17.18
87	TR-SF16851H6-87	FEEDER SHOE	1	76.04
88	TR-SF16851H6-88	RESTRICTIVE PIN	1	19.79
89	TR-SF16851H6-89	O-RING 6.4-1.8	1	17.18
90	TR-SF16851H6-90	RUNNING PIN	1	17.71
91	TR-SF16851H6-91	SCREW	1	17.18
92	TR-SF16851H6-92	WASHER	1	17.18
93	TR-SF16851H6-93	NUT	1	17.18
94	TR-SF16851H6-94	SOFT GRIP SLEEVE	1	41.67
95	TR-SF16851H6-95	O-RING 48.8-2.5	1	17.18
96	TR-SF16851H6-96	END CAP	1	122.92

* Precios en moneda nacional