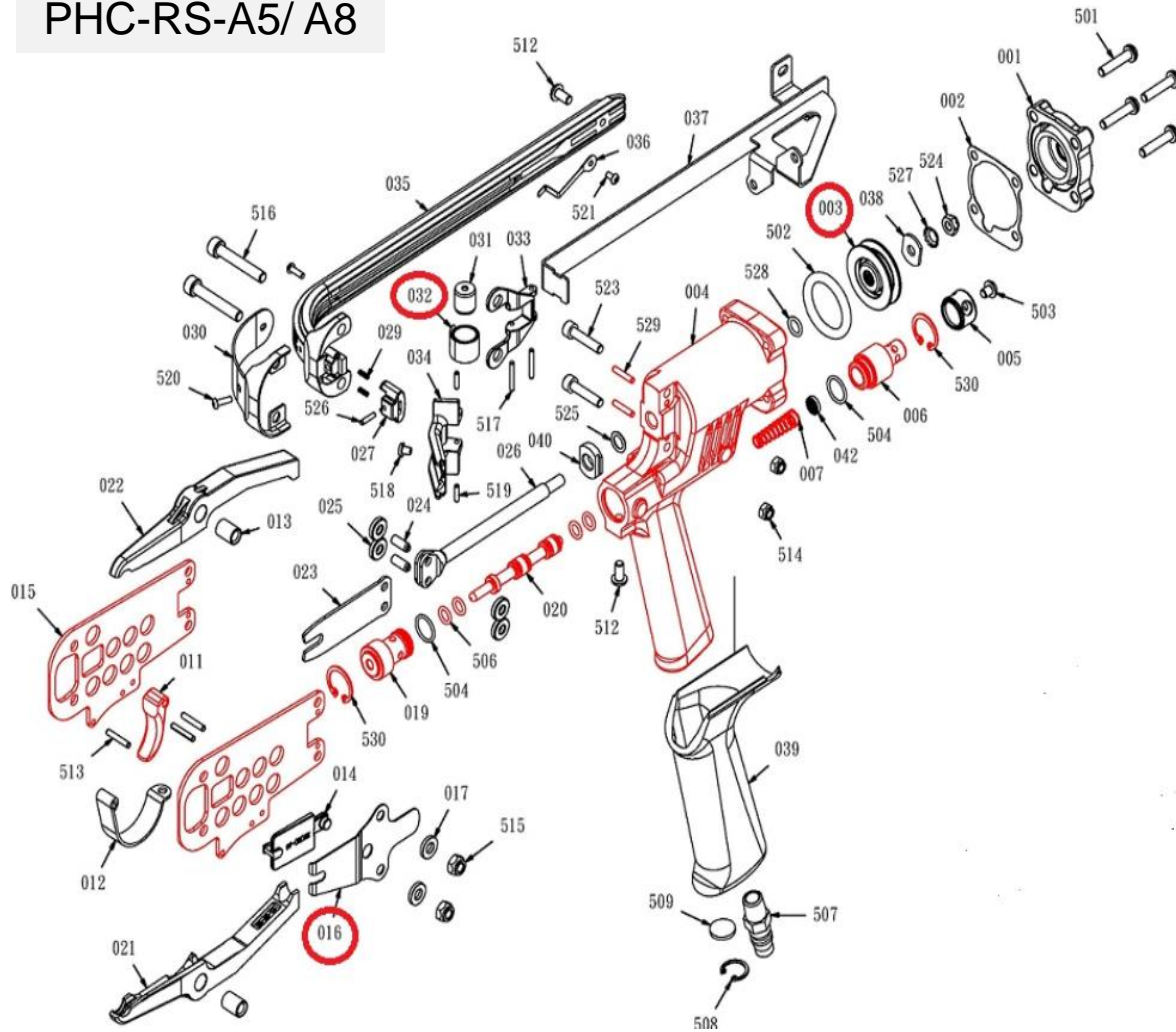


DESPIECE DE LA HERRAMIENTA

Usted encontrará con un círculo las piezas de desgaste recomendadas para mantener en stock.

PHC-RS-A5/ A8



032 Resorte

016 Spring Latch

003 Pistón

Kit: Resorte empujador (038), Spring Latch (016), Pistón (003)

Propiedad de: Implementos Neumáticos SA de CV
Prohibida la reproducción parcial o total

LISTA DE PARTES
MODELO: PHC-RS-A5

Item	Part No.	Description	Q'ty	Specification	P. Lista
001	A08600102	CAP	1		510.42
002	A08600201	PACKING	1		68.75
003	A08600302	PISTON	1	(N)RM,(N)RS	473.96
003	A10500901	PISTON	1	(N) PHC-RS-A5 (16)	473.96
004	A08600406	BODY	1		-
005	A08602701	DEFLECTOR	1		285.42
006	A08602603	SEAT REAR VALVE	1		457.29
007	A08602502	SPRING	1		52.08
011	A08603402	TRIGGER	1		347.92
012	A08601201	GUARD TRIGGER	1		66.67
013	A08601302	BUSHING	2		131.25
014	A10500703	LATCH	1	(N)RS-A8/A5-16	-
014	A10500704	LATCH	1	(N)RS-A8 / A5	-
015	A08601002	SIDE PLATE	2		314.58
016	A09800503	SPRING LATCH	1	(N)RS,(N)RS-A5	93.75
017	A08603601	WASHER	2		17.18
019	A08602902	SEAT, FRONT VALVE	1		536.46
020	A08605701	SPACER	1		320.83
021	A09800103	JAW, LOWER	1	PHC-RS	2,246.56
021	A10500104	JAW, LOWER	1	PHC-RS-A5	2,223.52
021	A09800601	JAW, LOWER	1	RS-A8-16	1,781.60
021	A10501003	JAW, LOWER	1	RS-A5-16	-
022	A09800203	JAW, UPPER	1	PHC-RS	2,246.56
022	A10500204	JAW, UPPER	1	PHC-RS-A5	2,223.52
022	A09800701	JAW, UPPER	1	RS-A8-16	1,353.13
022	A10501103	JAW, UPPER	1	RS-A5-16	-
023	A09800301	BLADE	1	(N)RS-A8-15	232.29
023	A10500602	BLADE	1	(N)RS-A5-15	-
023	A09800801	BLADE	1	(N)RS-A8-16	232.29
023	A10501202	BLADE	1	(N)RS-A5-16	-
024	A08603801	PIN	2		78.13
025	A08603501	ROLLER	4		131.25
025	A10500301	ROLLER	4	PHC-RS-A5	240.63
026	A08600501	PISTON ROD	1	A8-15	2,628.13
026	A08605101	PISTON ROD	1	A8-16	2,628.13
026	A10500401	PISTON ROD	1	A5-15	2,628.13
026	A10501301	PISTON ROD	1	A5-16	2,628.13
027	A08601802	SHOE, MAGAZINE	1		-
029	A08603101	SPRING	2		17.18
030	A08602101	GUARD	1		196.88

* Precios en moneda nacional

Item	Part No.	Description	Q'ty	Specification	P. Lista
031	A08602301	ROLLER	1		39.58
032	A08602202	SPRING	1		95.83
033	A08601701	BRACKET	1		285.42
034	A08601602	PUSHER	1		640.63
035	A08602002A	MAGAZINE BODY	1		784.38
036	A08602401	CLIP	1		43.75
037	A08601401@	RAIL	1		-
038	A08604201	WASHER	1		17.18
039	A08604402	GRIP	1		230.21
040	A10500501	BUMPER	1	(N)RS	46.88
042	A08605401	SILENCER	1		41.67
501	BAC2105252	HEX. SOC. BUTTOM HD. CAP	4	M5x0.8-25	17.18
502	BAB053279	O-RING	1	ψ5.33 x φ27.94	39.58
503	BAC0905062	HEX. SOC. BUTTOM HD. CAP	1	M5x0.8-10	17.18
504	BAB015130	O-RING	2	φ1.5xφ13	17.18
505	BAB017067-1	O-RING	4	ψ1.78x φ6.75	-
506	BAB017067	O-RING	4	ψ1.78x φ6.75	17.18
507	A00100802	AIR PLUG	1		56.25
508	BAF21602	C-RING	1	ψ16	17.18
509	BAI1402	SILENCER	1	ψ15.4x2mm	57.29
512	BAC0905102	HEX.SOC.BUTTOM HD. CAP SCREW	1	M5x0.8-10	17.18
513	BAA030018	SPRING PIN	3	ψ3-18	17.18
514	BAD01051	LOCK NUT	2	M5	17.18
515	BAD01061	LOCK NUT	2	M6	17.18
516	A08604002	HEX. SOC. HD. BOLT (Sust. al A08604001)	2	M6x1-37	79.17
517	BAA025018	SPRING PIN	2	ψ2.5-18	17.18
518	BAC0904052	HEX.SOC.BUTTOM HD. CAP SCREW	1	M4x.7-5	17.18
519	BAA025010	SPRING PIN	2	ψ2.5-10	17.18
520	BAC0903104	HEX.SOC.BUTTOM HD. CAP SCREW	2	M3x..5-10	17.18
521	BAC0903064	HEX.SOC.BUTTOM HD. CAP SCREW	1	M3x..5-6	17.18
523	A08604101	HEX. SOC. HD. BOLT	2	M5x..8-23.5	50.00
524	A08604501	LOCK NUT	1	M6x1	50.00
525	BAB019078	O-RING	1	ψ1.9xψ7.8	17.18
526	BAA025012	SPRING PIN (Sust. al BAA025011)	1	ψ2.5-12	17.18
527	BAE02062	TOOTHED LOCK WASHER-EXTERNAL	1	φ6.4	17.18
528	BAB017076	O-RING	1	φ1.78xφ7.65	17.18
529	BAA030016	SPRING PIN	2	ψ3-16	17.18
530	BAF22002	C-RING	2	ψ20	17.18
530	BAF22002	C-RING	2	ψ20	17.18