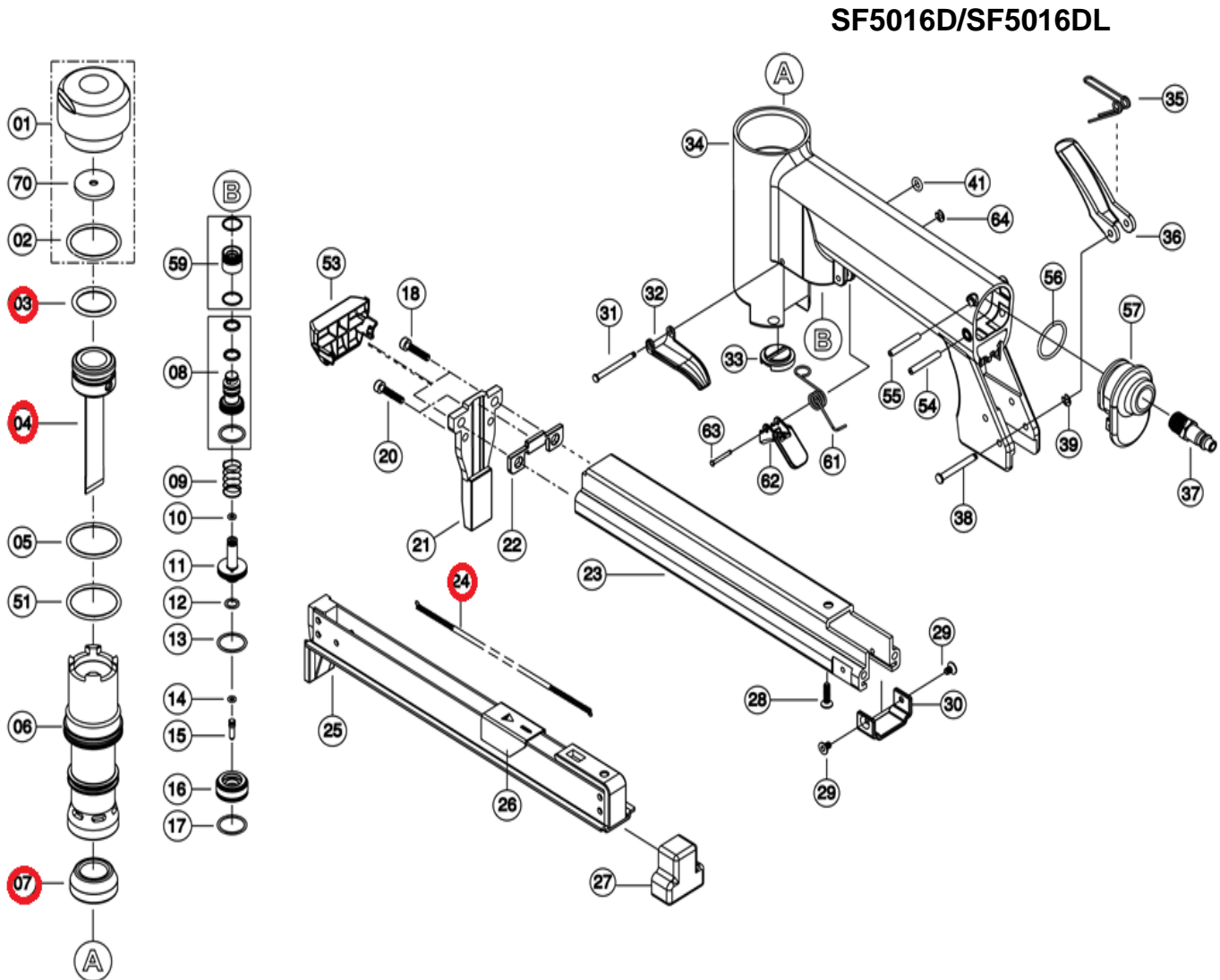


## DESPIECE DE LA HERRAMIENTA

Usted encontrará con un círculo las piezas de desgaste recomendadas para mantener en stock.



03: O'ring 04: Lanceta 07: Bumper 24:Resorte

KIT: Un O'ring (03), una lanceta (04), una bumper (07), un resorte empujador (24)

Propiedad de: Implementos Neumáticos SA de CV  
Prohibida la reproducción parcial o total

LISTA DE PARTES  
MODELO: SF5016D/SF5016DL

CONFIDENCIAL

Item	Part No.	Descripción	Hta	Cant	P. Lista
1	18012	Cap	SF5016D	1	305.21
1	18014	Cap	SF5016DL	1	322.92
2	90036	O'ring	SF5016D	1	17.18
2	90058	O'ring	SF5016DL	1	17.18
3	90001	O'ring	SF5016D	1	17.18
3	90063	O'ring	SF5016DL	1	17.18
4	32020-1	Piston Ram Assembly (Senco F)	SF5016D	1	350.00
4	15022-1	Piston Ram Assembly (Senco F)	SF5016DL	1	359.38
4	17020-1	Piston Ram Assembly	7116		350.00
5	90034	O'ring	SF5016D/SF5016DL	1	17.18
6	18041	Cylinder	SF5016D	1	367.71
6	18043	Cylinder	SF5016DL	1	352.08
7	18050	Bumper	SF5016D/SF5016DL	1	40.63
8	18060-1	Trigger Valve Set	SF5016D/SF5016DL	1	134.38
9	18070	Trigger Valve Spring	SF5016D/SF5016DL	1	17.18
10	90055	O'ring	SF5016D/SF5016DL	1	17.18
11	18080	Trigger Valve	SF5016D/SF5016DL	1	134.38
12	90005	O'ring (Trigger Valve)	SF5016D/SF5016DL	1	17.18
13	90007	O'ring (Trigger Valve)	SF5016D/SF5016DL	1	17.18
14	90009	O'ring	SF5016D/SF5016DL	1	17.18
15	18100	Trigger Valve Steam	SF5016D/SF5016DL	1	22.92
16	18120	Trigger Valve Guide	SF5016D/SF5016DL	1	116.67
17	90007	O'ring (Trigger Valve)	SF5016D/SF5016DL	1	17.18
18	91000-1	Hex. HD Soc. Screw + Spring Washer	SF5016D	2	17.18
18	91013-1	Hex. HD Soc. Screw + Spring Washer	SF5016DL	2	17.18
20	91001	Hex. HD Soc. Screw	SF5016D/SF5016DL	2	17.18
21	32140	Nose (Senco F)	SF5016D	1	336.46
21	15142	Nose	SF5016DL	1	606.25
22	15150	Nose Plate (5016 & A111)	SF5016D/SF5016DL	1	67.71
23	18160	Magazine Cover	SF5016D	1	628.13
23	15160	Magazine Cover	SF5016DL	1	628.13
24	18170	Pusher Spring	SF5016D/SF5016DL	1	27.08

Item	Part No.	Descripción	Hta	Cant	P. Lista
25	32180	Magazine (Senco F)	SF5016D	1	763.54
25	15180	Magazine	SF5016DL	1	628.13
26	32190	Pusher (Senco F)	SF5016D	1	89.58
26	15190	Pusher	SF5016DL	1	67.71
27	18200	Rear Magazine Bumper	SF5016D/SF5016DL	1	62.50
28	93001	Hex. Soc. FT HD Screw	SF5016D/SF5016DL	1	17.18
29	93003	Hex. Soc. FT HD Screw	SF5016D/SF5016DL	2	17.18
30	18210	Magazine Retainer	SF5016D/SF5016DL	1	54.17
31	18410	Step pin	SF5016D	1	17.18
31	18220	Step pin	SF5016DL	1	17.18
32	18230	Trigger	SF5016D/SF5016DL	1	44.79
33	18240	Seal	SF5016D/SF5016DL	1	17.71
34	18463	Body	SF5016D/SF5016DL	1	1,571.88
35	18270	Magazine Latch Spring	SF5016D/SF5016DL	1	17.71
36	18280	Magazine Latch	SF5016D/SF5016DL	1	188.54
37	94001-1	Air Plug	SF5016D/SF5016DL	1	40.63
38	18290	Pin	SF5016D/SF5016DL	2	17.18
39	95001	E-ring	SF5016D/SF5016DL	2	17.18
41	90010	O-ring	SF5016D/SF5016DL	1	17.18
51	90015	O-ring	SF5016D/SF5016DL	1	17.18
53	18330	Nose Cover	SF5016D/SF5016DL	1	44.79
54	96002	Split Pin	SF5016D/SF5016DL	1	17.18
55	96001	Split Pin	SF5016D/SF5016DL	1	17.18
56	90035	O-ring	SF5016D/SF5016DL	1	44.79
57	18360	End Cap	SF5016D/SF5016DL	1	225.00
59	18350-1	Trigger Valve a Kit	SF5016D/SF5016DL	1	192.71
61	18390	Double Trigger Latch S	SF5016D/SF5016DL	1	17.18
62	28100	Double Trigger	SF5016D/SF5016DL	1	44.79
63	18370	Pin	SF5016D/SF5016DL	1	22.92
64	95002	E-ring	SF5016D/SF5016DL	1	17.18
70	18009	Piston Stopper	SF5016DL	1	62.50

\* Precios en moneda nacional