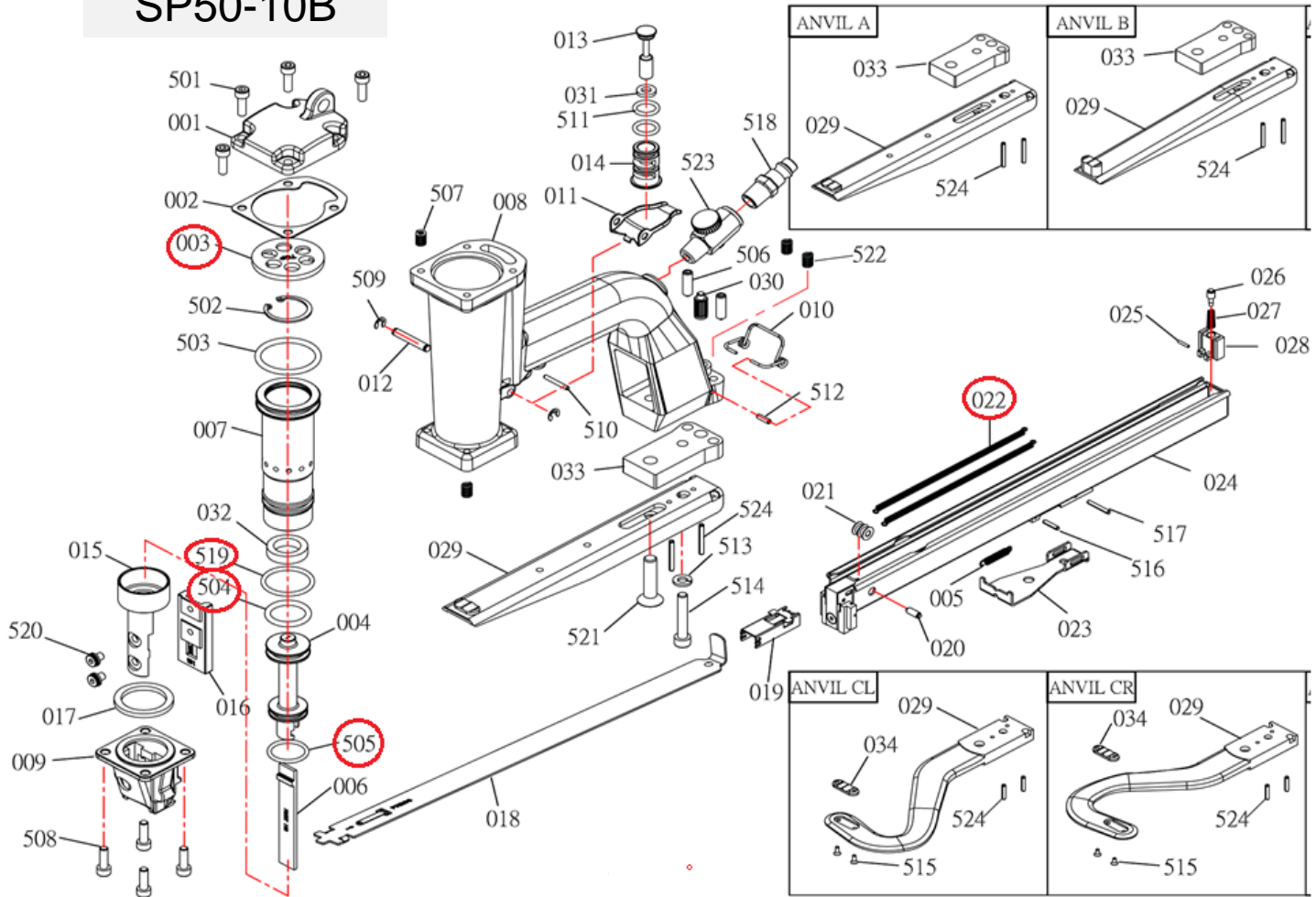


DESPIECE DE LA HERRAMIENTA

Usted encontrará con un círculo las piezas de desgaste recomendadas para mantener en stock.

SP50-05B
SP50-10B



022 Resorte

003 Bumper

519,504,505 O'rings

KIT: Un resorte, un bumper, un o-ring (519,504,505)

Propiedad de: Implementos Neumáticos SA de CV
Prohibida la reproducción parcial o total

LISTA DE PARTES

CONFIDENCIAL

MODELO: SP50-10B

Item	Part No.	Description	Q'ty	Specification	P. Lista	Item	Part No.	Description	Q'ty	Specification	P. Lista
001	A05500101	CAP	1		382.29	031	A05504201	SEAL	1		19.79
002	A05500201	PACKING	1		39.58	032	A05504401	PROTECT WASHER	1		78.13
003	A05500301	BUMPER	1		61.46	033	A05504601	SPACER	1	For Anvil A,B	226.04
004	A05500401	DRIVER PISTON	1		1,119.79	034	A05503601	ANVIL C-1	1	For Anvil CL,CR	700.00
005	A05500501	SPRING	1		17.18	501	BAC0605202	HEX.SOC.HD.BLOT	4	M5x0.8-20	17.18
006	A05500601	DRIVER	1	10B series	1,302.08	502	BAF22802	C-RING	1	φ28	17.18
006	A07500201	DRIVER	1	5B series	1,385.42	503	BAB035337	O-RING	1	P34	17.18
007	A05500701	CYLINDER	1		989.58	504	BAB035214	O-RING	1	P22A	17.18
008	A05500801	BODY	1		7,861.46	505	BAB024208	O-RING	1	P21	17.18
009	A05500902	GUIDE	1		1,348.96	506	BAC0306252	HEX.SOC.HDLESS.	2	M6x1-25(Anvil A,B)	17.18
010	A05501001	SPRING	1		52.08	506	BAC0306152	HEX.SOC.HDLESS.	2	M6x1-15(Anvil CL,CR)	17.18
011	A05501101	TRIGGER	1		62.50	507	BAG020502	HELI-COIL	8	M5x0.8-2D	20.83
012	A05501201	ROD	1		23.96	508	BAC0605142	HEX.SOC.HD.BLOT	4	M5x0.8-14	17.18
013	A05501301	VALVE	1		104.17	509	BAF10402	E-RING	2	φ4	17.18
014	A05501401	TUBE	1		293.75	510	BAA025012	SPRING PIN	1	φ2.5x12	17.18
015	A05501501	SLEEVE	1		1,518.75	511	BAB017124	O-RING/BAB024118	2	φ1.78x12.42	17.18
016	A05501601	DRIVER GUIDE	1	10B series	937.50	512	BAA030010	SPRING PIN	2	φ3x10	17.18
016	A07500101	DRIVER GUIDE	1	5B series	937.50	513	BAE01062	SPRING WASHER	1	M6	17.18
017	A05501701	BUMPER	1		98.96	514	BAC0406352	HEX.SOC.HD.BLOT	1	M6x1-35(Anvil A,B)	17.18
018	A05501902	COVER UNIT	1		604.17	514	BAC0406202	HEX.SOC.HD.BLOT	1	M6x1-20(Anvil CL,CR)	17.18
019	A05502401	PUSHER	1		57.29	515	BAC0203062	HEX.SOC.FLAT COUNTER	1	M3x0.5-6 (Anvil CL,CR)	17.18
020	A05502601	ROD	1		17.18	516	BAA025012	SPRING PIN	1	φ2.5x12	17.18
021	A05502501	ROLLER	1		91.67	517	BAA025018	SPRING PIN	1	φ2.5x18	17.18
022	A05502301	SPRING	2		52.08	518	A00100802	AIR PLUG	1	U.S.A. Type	56.25
023	A05502701	MAGAZINE CLAMP	1		61.46	519	BAB026282	O-RING	1	φ2.62xφ28.25	17.18
024	A05503401@	MAGAZINE SET	1		-	520	BAC0905062	HEX.SOC.ROUND.HD.SCREW	2	M5x0.8-6	17.18
025	A05502201	ROD	1		17.18	521	BAC0208352	HEX.SOC.FLAT COUNTER	1	M8x1.25-35	17.18
026	A05502001	ROD	1		21.88	521	BAC0208202	HEX.SOC.FLAT COUNTER	1	M8x1.25-20 (Anvil CL,CR)	17.18
027	A05504001	SPRING	1		17.18	521	BAC0208202		1	M8x1.25-20 (Anvil CL,CR)	17.18
028	A05502101	BLOCK	1		625.00	522	BAG010602	HELI-COIL	3	M6x1-2D	22.92
029	A05503001@	ANVIL A	1		-	523	BAI0404	SPEED CONTROLLER	1	1/4"PT	242.71
029	A05503201@	ANVIL B	1		1,250.00	524	BAA030024	SPRING PIN	2	φ3x24(FOR ANVIL A,B)	17.18
029	A05503101	ANVIL CL	1		1,882.29	524	BAA030014	SPRING PIN	2	φ3x14(FOR ANVIL CL,CR)	17.18
029	A05504701	ANVIL CR	1		1,882.29	524	BAA030022	SPRING PIN	2	φ3x22(FOR ANVIL DL,DR)	17.18
030	A05504101	ROD	1		30.21						

*Precios en moneda nacional