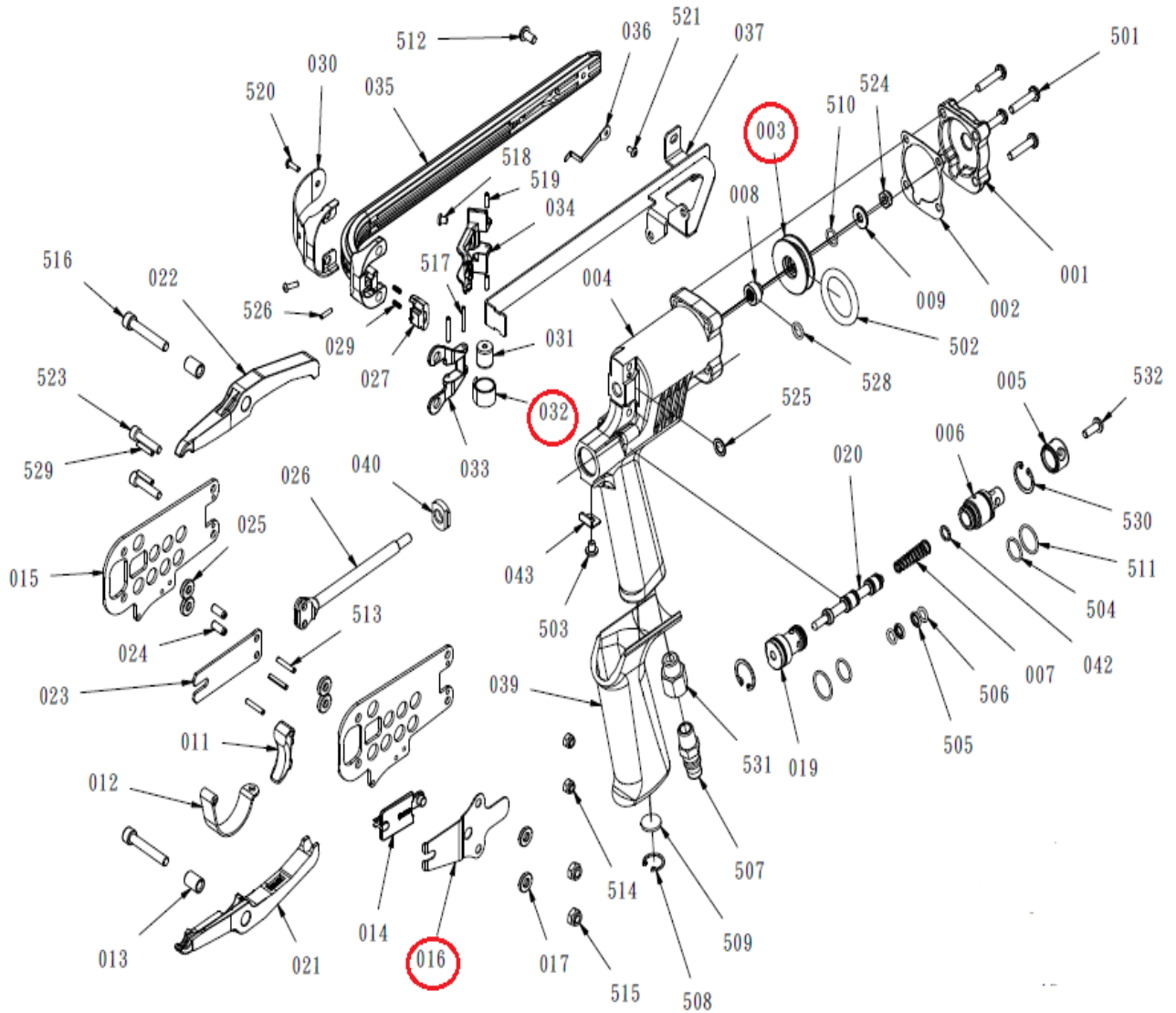


DESPIECE DE LA HERRAMIENTA

Usted encontrará con un círculo las piezas de desgaste recomendadas para mantener en stock.

PHC-RS-A5



032 Resorte

016 Spring Latch

003 Pistón

Kit: Resorte empujador (032), Spring Latch (016), Pistón (003)

Propiedad de: Implementos Neumáticos SA de CV

CONFIDENCIAL

Prohibida la reproducción parcial o total

LISTA DE PARTES

MODELO: PHC-RS

Item	Part No.	Description	Q'ty	Specification	P. Lista
001	A08600102	CAP	1		510.42
002	A08600201	PACKING	1		68.75
003	A08600302	PISTON	1		294.79
004	A08600408	BODY	1		4,576.04
005	A08602701	DEFLECTOR	1		148.96
006	A08602606	SEAT REAR VALVE	1		244.79
007	A08602503	SPRING	1		26.04
008	A08606201	PISTON BUSH	1		93.75
009	A08606301	PISTON WASHER	1		31.25
011	A08603404	TRIGGER	1		347.92
012	A08601201	GUARD, TRIGGER	1		66.67
013	A08601302	BUSHING	2		168.75
014	A10500705	LATCH	1		193.75
015	A08601002	SIDE PLATE	2		314.58
016	A09800503	SPRING, LATCH	1	RS, NS	66.67
017	A08603601	WASHER	2		17.18
019	A08602904	SEAT, FRONT VALVE	1		166.67
020	A08605703	SPACER	1		202.08
021	A10500105	JAW, LOWER	1	RS-A5-15	2,211.46
022	A10500205	JAW, UPPER	1	RS-A5-15	2,211.46
023	A09800302	BLADE	1	RS-A5-15, RS-A8-15	232.29
024	A08603801	PIN	2		48.96
025	A08603501	ROLLER	4		205.21
026	A08600501	PISTON ROD	1	15 GAUGE	2,020.83
027	A08601802	SHOE, MAGAZINE	2		211.46
029	A08603101	SPRING	4		17.18
030	A08602101	GUARD	2		125.00
027	A08601802	SHOE, MAGAZINE	2		211.46
029	A08603101	SPRING	4		17.18
030	A08602101	GUARD	2		125.00
031	A08602301	ROLLER	1		39.58
032	A08602202	SPRING	1		95.83
033	A08601701	BRACKET	1		285.42
034	A08601603	PUSHER	1		640.63
035	A08602003A	MAGAZINE BODY	2		502.08

Item	Part No.	Description	Q'ty	Specification	P. Lista
036	A08602401	CLIP	2		43.75
037	A08601401A	RAIL	1		648.96
039	A08604402	GRIP	1		230.21
040	A09500601	BUMPER	1	(N)RM	46.88
042	A08605901	VALVE SPRING WASHER	1		33.33
043	A08605801	TRIGGER BLOCK	1		83.33
501	BAC2105252	HEX.SOC.BOTTOM HD. CAP SCREW	4	M5x0.8-25	17.18
502	BAB053279	O-RING	1	ψ5.33xψ27.94	39.58
503	BAC0905062	HEX.SOC.BOTTOM HD.CAP SCREW	1	M5x0.8-6	17.18
504	BAB015130	O-RING	2	ψ1.5xψ13	17.18
505	BAB017067-1	O-RING	2	ψ1.78xψ6.75	17.18
506	BAB017067	O-RING	2	ψ1.78xψ6.75	17.18
507	A00100802	AIR PLUG	1		56.25
508	BAF21602	C-RING	1	ψ16	17.18
509	BAI1402	SILENCER	1	ψ15.4-2	57.29
510	BAB015090	O-RING	1	ψ1.5ψ9	17.18
511	BAB015170	O-RING	2	ψ1.5*ψ17	17.18
512	BAC0905102	HEX.SOC.BOTTOM HD.CAP SCREW	1	M5x0.8-10	17.18
513	BAA030018	SPRING PIN	3	ψ3-18	17.18
514	BAD01051	LOCK NUT	2	M5x0.8	17.18
515	BAD01061	LOCK NUT	2	M6	17.18
516	A08604002	HEX.SOC.HD.BOLT	2	M6x1-37	17.18
517	BAA025018	SPRING PIN	2	ψ2.5-18	17.18
518	BAC0904052	HEX.SOC.BOTTOM HD.CAP SCREW	1	M4x0.7-5	17.18
519	BAA025010	SPRING PIN	2	ψ2.5-10	17.18
520	BAC0903102	HEX.SOC.BOTTOM HD.CAP SCREW	2	M3x0.5-10	17.18
521	BAC0903062	HEX.SOC.BOTTOM HD. CAP SCREW	1	M3x0.5-6	17.18
523	A08604101	HEX.SOC.HD.BOLT	2	M5x0.8-23.5	50.00
524	A08604501	LOCK NUT	1	M6	208.33
525	BAB019078	O-RING	1	ψ1.9xψ7.8	17.18
526	BAA025011	SPRING PIN	2	ψ2.5-11	17.18
528	BAB017076	O-RING	1	ψ1.78xψ7.65	17.18
529	BAA030016	SPRING PIN	2	ψ3-16	17.18
530	BAF22002	C-RING	2	ψ20	17.18
532	BAC0905142	HEX.SOC.BOTTOM HD. CAP SCREW	1	M5x0.8-14	17.18

* Precios en moneda nacional