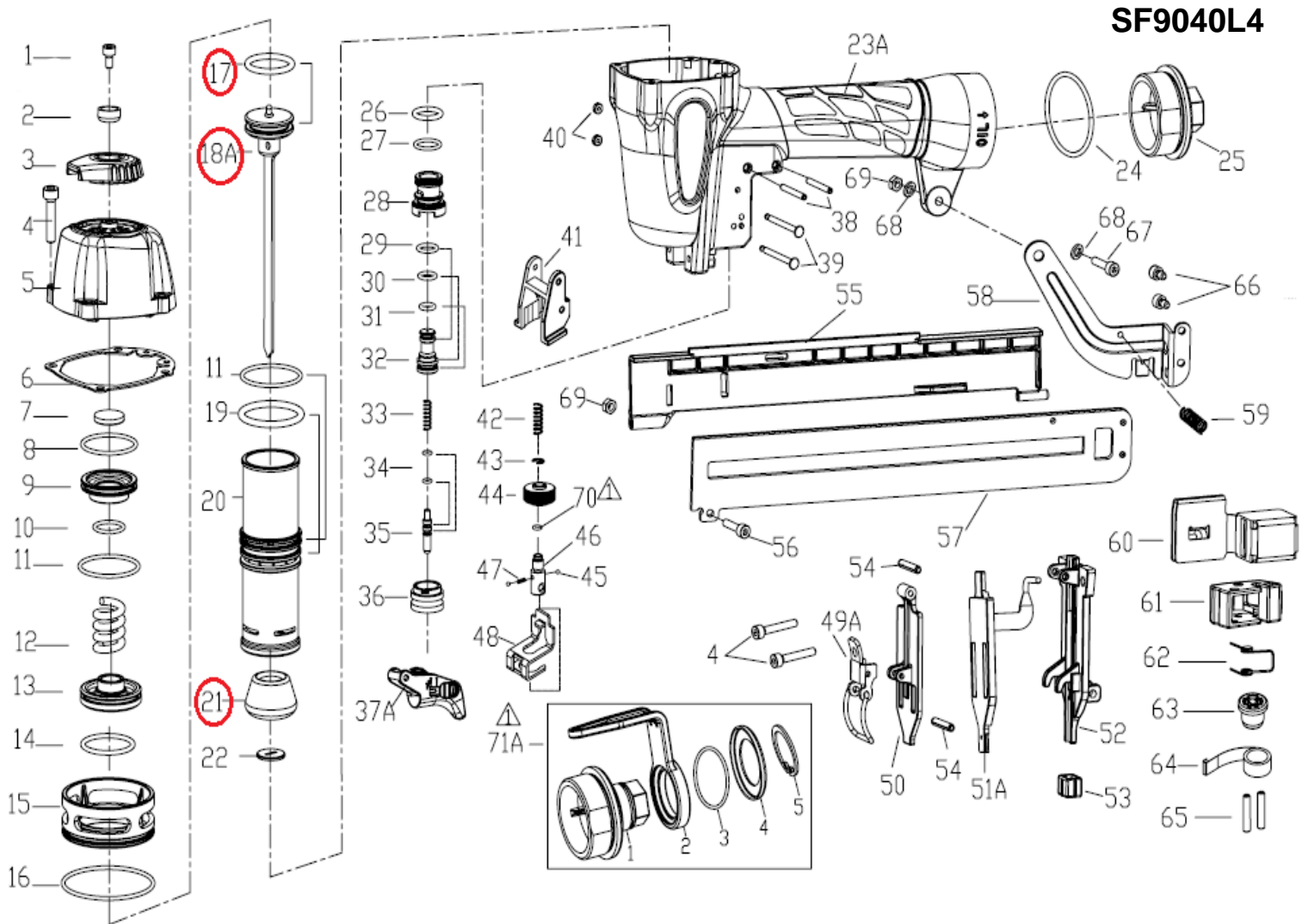


DESPIECE DE LA HERRAMIENTA

Usted encontrará con un círculo las piezas de desgaste recomendadas para mantener en stock.



17: O'ring 18A:Lanceta 21: Tope

KIT: Un O'ring (17), una lanceta (18A), un tope (21)

Propiedad de: Implementos Neumáticos SA de CV
Prohibida la reproducción parcial o total

LISTA DE PARTES
MODELO: SF9040L4

CONFIDENCIAL

Item	Part No.	Description	Q'ty	P. Lista
1	SF9040L4-1	Hex.Soc.Hd.Bolt	1	17.18
2	SF9040L4-2	Bushing	1	31.25
3	SF9040L4-3	Deflector	1	42.71
4	SF9040L4-4	Hex.Soc.Hd.Bolt	6	21.88
5	SF9040L4-5	Cap	1	389.58
6	SF9040L4-6	Gasket, Cap	1	62.50
7	SF9040L4-7	Seal	1	28.13
8	SF9040L4-8	O-Ring	1	17.18
9	SF9040L4-9	Piston Stopper	1	37.50
10	SF9040L4-10	O-Ring	1	17.18
11	SF9040L4-11	O-Ring	2	28.13
12	SF9040L4-12	Spring	1	33.33
13	SF9040L4-13	Piston,Head Valve	1	134.38
14	SF9040L4-14	O-Ring	1	17.18
15	SF9040L4-15	Cylinder Spacer	1	57.29
16	SF9040L4-16	O-Ring	1	29.17
17	SF9040L4-17	O-Ring	1	28.13
18A	SF9040L4-18	Driver Assembly	1set	-
19	SF9040L4-19	O-Ring	1	41.67
20	SF9040L4-20	Cylinder	1	385.42
21	SF9040L4-21	Bumper	1	66.67
22	SF9040L4-22	Driver Guide	1	17.18
23A	SF9040L4-23	Body Assembly	1set	1,243.75
24	SF9040L4-24	O-Ring	1	25.00
25	SF9040L4-25	End Cap	1	148.96
26	SF9040L4-26	O-Ring	1	17.18
27	SF9040L4-27	O-Ring	1	17.18
28	SF9040L4-28	Valve	1	28.13
29	SF9040L4-29	O-Ring	1	17.18
30	SF9040L4-30	O-Ring	1	17.18
31	SF9040L4-31	O-Ring	1	17.18
32	SF9040L4-32	Valve Plunger	1	23.96
33	SF9040L4-33	Spring	1	17.18
34	SF9040L4-34	O-Ring	2	17.18
35	SF9040L4-35	Plunger	1	59.38
36	SF9040L4-36	Plunger Cap	1	45.83
37A	SF9040L4-37	Trigger Assembly	1set	163.54
38	SF9040L4-38	Spring Pin	2	17.18
39	SF9040L4-39	Pin Trigger	2	17.18
40	SF9040L4-40	Grommet	2	17.18
41	SF9040L4-41	Guide, Contact Trip	1	28.13

Item	Part No.	Description	Q'ty	P. Lista
42	SF9040L4-42	Spring, Safety	1	17.18
43	SF9040L4-43	E-Ring	1	17.18
44	SF9040L4-44	Adjusting Nut	1	156.25
45	SF9040L4-45	Ball,Steel	2	17.18
46	SF9040L4-46	Adjusting Post	1	98.96
47	SF9040L4-47	Adjusting Spring	1	17.18
48	SF9040L4-48	Upper Safety Lever	1	67.71
49A	SF9040L4-49	Door Latch Assy.	1set	88.54
50	SF9040L4-50	Door	1	354.17
51A	SF9040L4-51	Safety Lever Assy.	1	529.17
52	SF9040L4-52	Nose, Machined	1	677.08
53	SF9040L4-53	Rubber Pad	1	17.18
54	SF9040L4-54	Spring Pin	1	17.18
55	SF9040L4-55	Magazine Cap	1	177.08
56	SF9040L4-56	Hex.Soc.Hd.Bolt	1	17.18
57	SF9040L4-57	Magazine	1	343.75
58	SF9040L4-58	Bracket	1	187.50
59	SF9040L4-59	Spring	1	17.18
60	SF9040L4-60	Pusher	1	135.42
61	SF9040L4-61	Latch	1	17.18
62	SF9040L4-62	Spring	1	23.96
63	SF9040L4-63	Roller	1	22.92
64	SF9040L4-64	Spiral Spring	1	125.00
65	SF9040L4-65	Roller Pin	2	18.75
66	SF9040L4-66	Hex.Soc.Hd.Bolt	2	17.18
67	SF9040L4-67	Hex.Soc.Hd.Bolt	1	17.18
68	SF9040L4-68	Flat Washer	2	17.18
69	SF9040L4-69	Locknut	1	17.18
70	SF9040L4-70	O-Ring	1	17.18
Partes opcionales				
71A	SF9040L4-71A	Belt Hook Assembly	1set	345.83
71A-1	SF9040L4-71A-1	End Cap	1	206.25
71A-2	SF9040L4-71A-2	Belt Hook	1	71.88
71A-3	SF9040L4-71A-3	O-Ring	1	17.18
71A-4	SF9040L4-71A-4	Cover Belt Hook	1	36.46
71A-5	SF9040L4-71A-5	C-Ring	1	17.18
Kit's				
D	SF9040L4-D	Dirver Maintenance Kit	1set	354.17
B	SF9040L4-B	Bumper Kit	1set	146.88
O	SF9040L4-O	O-Ring Maintenance Kit	1set	173.96

* Precios en moneda nacional